

Wagad Strainer

# STRAINER

**wagad**<sup>®</sup>

**TECHNOLOGY PVT. LTD.**



**MSME**  
सूक्ष्म, लघु एवं मध्यम उद्यम  
MICRO, SMALL & MEDIUM ENTERPRISES



The Technology  
Way Of Life.

## FABRICATED BASKET TYPE STRAINER



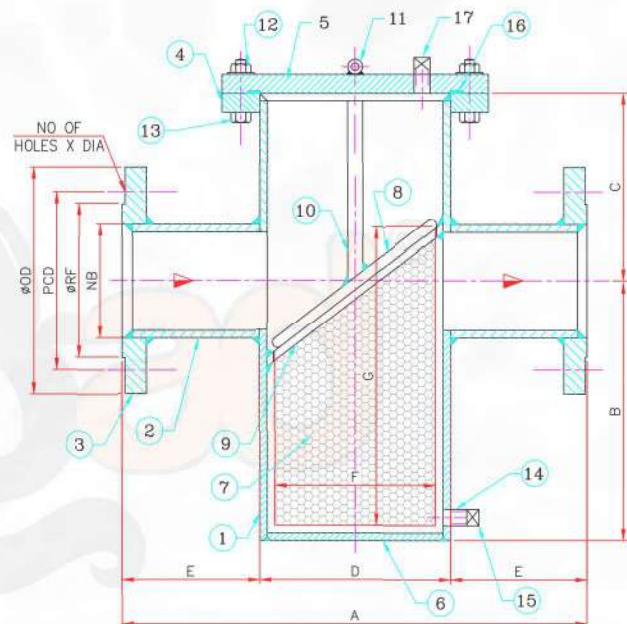
**WTPL** Basket strainer feature top removal of the screen. The screen is in the form of a basket.

Inside the strainer is a mesh, which block any suspended impurities that the fluid has and is collected in the mesh, during maintenance the mesh can be removed and cleaned of the impurities.

They are intended for application where large amount of solid particles are expected and where the clean-out will be frequent. For easily flushable solid, a modified cone bottom basket can be fitted with automatic or manual blow-down through drain port this will allow clean-out without removal of the screen, and without interrupting the flow process.

### APPLICATIONS:

- ✓ PUMP PROTECTION
- ✓ FLOW METER PROTECTION
- ✓ VALVES & REGULATOR PROCESSES
- ✓ PROTECTION OF HEAT EXCHANGER AND REFRIGERATION
- ✓ INSTRUMENTATION AND PIPING ITEM PROTECTION



| CONSTRUCTION |                |  |     |
|--------------|----------------|--|-----|
| IT.NO        | DESCRIPTION    | MATERIAL                               | QTY |
| 14           | GASKET         | PTFE/AF-120/SPIRAL WOUND               | 1   |
| 13           | VENT PLUG      | M.S/SS304/SS316/SS304 L/SS316L         | 1   |
| 12           | DRAIN PLUG     | M.S/SS304/SS316/SS304 L /SS316 L       | 1   |
| 11           | NUTS BOLTS     | M.S/SS304/SS316                        | -   |
| 10           | LIFTING HOOK   | M.S/SS304/SS316/SS304 L/SS316 L        | 1   |
| 09           | FILTER HANDLE  | M.S/SS304/SS316/SS304 L/SS316 L        | 1   |
| 08           | RING           | M.S/SS304/SS316/SS304 L/SS316 L        | 1   |
| 07           | FILTER ELEMENT | M.S/SS304/SS316/SS304 L/SS316 L        | 1   |
| 06           | BOTTOM FLANGE  | M.S/C.S/SS304/SS316/SS304 L/SS316 L/PP | 1   |
| 05           | TOP FLANGE     | M.S/C.S/SS304/SS316/SS304 L/SS316 L/PP | 1   |
| 04           | SHELL FLANGE   | M.S/C.S/SS304/SS316/SS304 L/SS316 L/PP | 1   |
| 03           | PROCESS FANGE  | M.S/C.S/SS304/SS316/SS304 L/SS316 L/PP | 2   |
| 02           | PROCESS PIPE   | M.S/C.S/SS304/SS316/SS304 L/SS316 L/PP | 2   |
| 01           | SHELL PIPE     | M.S/C.S/SS304/SS316/SS304 L/SS316 L/PP | 1   |

| DIMENSIONS |      |      |     |       |       |     |      |
|------------|------|------|-----|-------|-------|-----|------|
| NB         | A    | B    | C   | D     | E     | F   | G    |
| 25         | 205  | 115  | 75  | 48    | 78.5  | 27  | 110  |
| 40         | 240  | 145  | 83  | 60.3  | 90    | 40  | 150  |
| 50         | 275  | 195  | 93  | 88.9  | 93    | 50  | 205  |
| 65         | 320  | 215  | 105 | 101.6 | 109   | 65  | 240  |
| 80         | 350  | 245  | 115 | 114.3 | 118   | 80  | 270  |
| 100        | 380  | 275  | 130 | 141.6 | 120   | 100 | 310  |
| 150        | 445  | 300  | 160 | 219   | 113   | 150 | 360  |
| 200        | 525  | 376  | 190 | 273   | 126   | 200 | 460  |
| 250        | 625  | 390  | 235 | 323   | 151   | 250 | 500  |
| 300        | 650  | 440  | 300 | 355   | 147.5 | 300 | 575  |
| 350        | 800  | 625  | 318 | 406   | 197   | 350 | 785  |
| 400        | 800  | 730  | 390 | 457   | 171   | 385 | 900  |
| 450        | 850  | 825  | 325 | 508   | 171   | 450 | 1035 |
| 700        | 1250 | 1085 | 550 | 762   | 244   | 670 | 1415 |

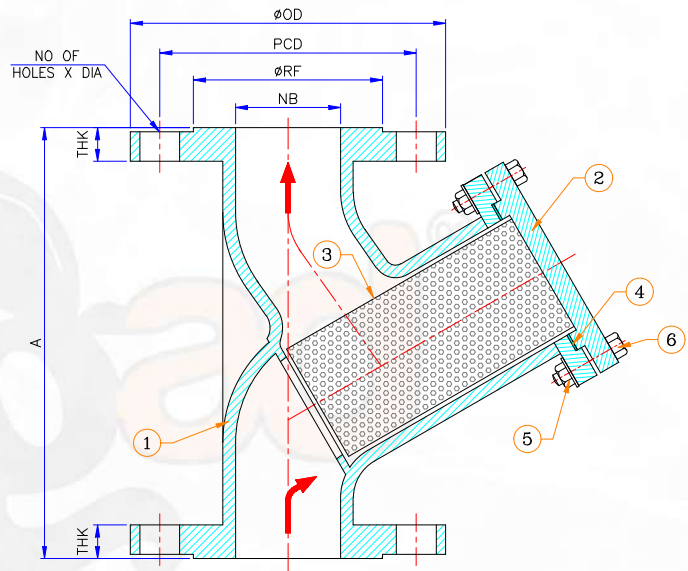
## Y TYPE STRAINER (INVESTMENT CASTING)



WTPLY Strainer are your most economical choice for large debris removal. They are most commonly used in pressurized lines, gas or liquid, but can also be used in suction or vacuum conditions. Y-Strainer has the advantage of being able to be installed in either a horizontal or vertical position. However, in both cases, the screening element or "leg" must be on the "downside" of the strainer body so that entrapped solids can be properly collected and held for disposal. The Y-Strainer are equipped with a blow off port. A ball valve can be fitted to flush debris that is easily removable from the screen and exhaust to atmosphere or a drain system. This feature allows for easy cleaning without interrupting the process. Various Perforations, Mesh or Perforation Mesh combinations or Wedge Wire screens are available to meet your process requirements.

### APPLICATIONS:

- ✓ PUMP PROTECTION
- ✓ FLOW METER PROTECTION
- ✓ VALVES & REGULATOR PROCESSES
- ✓ PROTECTION OF HEAT EXCHANGER AND REFRIGERATION
- ✓ INSTRUMENTATION AND PIPING ITEM PROTECTION



| DIMENSIONS IN MM |     |     |      |     |       |    |    |       |
|------------------|-----|-----|------|-----|-------|----|----|-------|
| IN               | NB  | A   | ØB   | ØC  | ØD    | ØM | N  | PCD   |
| 1"               | 25  | 127 | 11.0 | 51  | 108.0 | 16 | 4  | 79.2  |
| 1.1/2"           | 40  | 165 | 14.2 | 73  | 127.0 | 16 | 4  | 98.5  |
| 2 1/2"           | 50  | 203 | 15.7 | 92  | 152.0 | 19 | 4  | 120.6 |
| 3"               | 65  | 216 | 17.5 | 105 | 178.0 | 19 | 4  | 139.7 |
| 4"               | 80  | 241 | 19.0 | 127 | 190.5 | 19 | 4  | 152.4 |
| 5"               | 100 | 292 | 24.0 | 157 | 229.0 | 19 | 8  | 190.5 |
| 6"               | 125 | 356 | 24.0 | 186 | 254.0 | 22 | 8  | 215.9 |
| 7"               | 150 | 406 | 25.0 | 216 | 279.0 | 22 | 8  | 241.3 |
| 8"               | 200 | 495 | 28.5 | 270 | 343.0 | 22 | 8  | 298.4 |
| 8"               | 250 | 622 | 30.0 | 324 | 406.0 | 25 | 12 | 362.0 |

## FABRICATED TYPE DUPLEX STRAINER

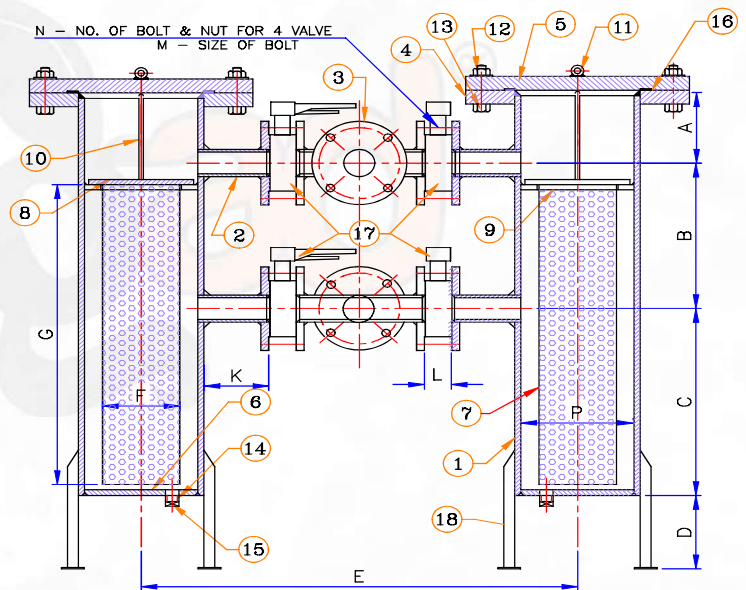


WTPL Duplex Strainers are designed for applications where flow cannot be shut down to service the strainer screen. Change over is accomplished by use of butterfly valves. They are very economical because they are fabricated to your specific requirements and with your choice of valves. This arrangement provides a bubble-tight shut off between basket chambers, essential for use in negative head pump suction systems.

### APPLICATIONS:

- ✓ PUMP PROTECTION
- ✓ FLOW METER PROTECTION
- ✓ VALVES & REGULATOR PROCESSES
- ✓ PROTECTION OF HEAT EXCHANGER AND REFRIGERATION
- ✓ INSTRUMENTATION AND PIPING ITEM PROTECTION

| CONSTRUCTION |                 |                                |      |
|--------------|-----------------|--------------------------------|------|
| 15           | GASKET          | AF-120/PTFE/SPIRAL WOULD       | 1    |
| 14           | BUTTERFLY VALVE | CS/SS304/SS316/SS304 L/SS316L  | 1    |
| 13           | VENT PLUG       | M.S/SS304/SS316/SS304 L/SS316L | 1    |
| 12           | DRAIN PLUG      | M.S/SS304/SS316/SS304 L/SS316L | 1    |
| 11           | NUTS BOLTS      | M.S/SS304/SS316                | -    |
| 10           | LIFTING HOOK    | M.S/SS304/SS316/SS304 L/SS316L | 1    |
| 9            | FILTER HANDLE   | M.S/SS304/SS316/SS304 L/SS316L | 1    |
| 8            | RING            | M.S/SS304/SS316/SS304 L/SS316L | 1    |
| 7            | FILTER ELEMENT  | SS304/SS316/SS304 L/SS316L     | 1    |
| 6            | BOTTOM FLANGE   | M.S/SS304/SS316/SS304 L/SS316L | 1    |
| 5            | TOP FLANGE      | M.S/SS304/SS316/SS304 L/SS316L | 1    |
| 4            | SHELL FLANGE    | M.S/SS304/SS316/SS304 L/SS316L | 1    |
| 3            | PROCESS PIPE    | M.S/SS304/SS316/SS304 L/SS316L | 2    |
| 2            | PROCESS PIPE    | M.S/SS304/SS316/SS304 L/SS316L | 2    |
| 1            | SHELL PIPE      | M.S/SS304/SS316/SS304 L/SS316L | 1    |
| IT.NO        | MATERIAL        | DESCRIPTION                    | QTY. |

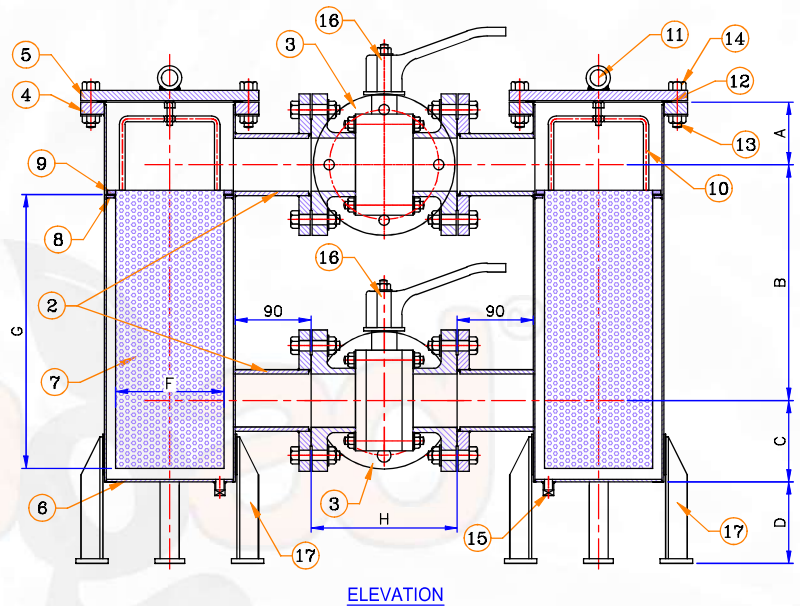


| DIMENSIONS IN MM |     |     |     |     |      |     |      |     |     |     |    |           |    |       |
|------------------|-----|-----|-----|-----|------|-----|------|-----|-----|-----|----|-----------|----|-------|
| NB               | A   | B   | C   | D   | E    | F   | G    | H   | J   | K   | L  | M         | N  | P     |
| 50               | 95  | 295 | 200 | 125 | 569  | 70  | 440  | 125 | 160 | 105 | 43 | 5/8"x4"   | 16 | 101.6 |
| 65               | 105 | 320 | 210 | 150 | 613  | 77  | 460  | 140 | 175 | 110 | 46 | 5/8"x4"   | 16 | 114.3 |
| 80               | 115 | 335 | 225 | 150 | 685  | 100 | 480  | 150 | 200 | 120 | 46 | 5/8"x4"   | 16 | 141.3 |
| 100              | 130 | 385 | 245 | 150 | 809  | 125 | 535  | 170 | 275 | 125 | 52 | 5/8"x4"   | 32 | 168.3 |
| 150              | 160 | 440 | 270 | 150 | 983  | 162 | 590  | 205 | 350 | 145 | 56 | 3/4"x5.5" | 32 | 219.1 |
| 200              | 190 | 530 | 315 | 150 | 1150 | 220 | 690  | 235 | 425 | 160 | 60 | 3/4"x5.5" | 32 | 273   |
| 250              | 215 | 620 | 340 | 150 | 1369 | 295 | 750  | 275 | 505 | 180 | 68 | 7/8"x6.5" | 48 | 355.6 |
| 300              | 235 | 700 | 450 | 200 | 1574 | 340 | 925  | 310 | 600 | 200 | 78 | 7/8"x6.5" | 48 | 406.6 |
| 350              | 320 | 830 | 500 | 200 | 1790 | 390 | 1080 | 340 | 665 | 250 | 78 | 1"x7.5"   | 48 | 455   |

## FABRICATED TYPE DUPLEX STRAINER WITH BALL VALVE



WTPL Duplex type Strainers with ball valve is designed for applications where flow cannot be shut down to service the strainer screen. Change over is accomplished by use of ball valves. They are very economical because they are fabricated to your specific requirements and with your choice of valves. This arrangement provides a bubble-tight shut off between basket chambers, essential for use in negative head pump suction systems.



### APPLICATIONS:

- ✓ PUMP PROTECTION
- ✓ FLOW METER PROTECTION
- ✓ VALVES & REGULATOR PROCESSES
- ✓ PROTECTION OF HEAT EXCHANGER AND REFRIGERATION
- ✓ INSTRUMENTATION AND PIPING ITEM PROTECTION

| CONSTRUCTION |                |                                |      |
|--------------|----------------|--------------------------------|------|
| IT.NO        | MATERIAL       | DESCRIPTION                    | QTY. |
| 15           | GASKET         | AF-120/PTFE/SPIRAL WOULD       | 1    |
| 14           | BALL VALVE     | CS/SS304/SS316/SS304 L/SS316L  | 1    |
| 13           | VENT PLUG      | M.S/SS304/SS316/SS304 L/SS316L | 1    |
| 12           | DRAIN PLUG     | M.S/SS304/SS316/SS304 L/SS316L | 1    |
| 11           | NUTS BOLTS     | M.S/SS304/SS316                | -    |
| 10           | LIFTING HOOK   | M.S/SS304/SS316/SS304 L/SS316L | 1    |
| 9            | FILTER HANDLE  | M.S/SS304/SS316/SS304 L/SS316L | 1    |
| 8            | RING           | M.S/SS304/SS316/SS304 L/SS316L | 1    |
| 7            | FILTER ELEMENT | SS304/SS316/SS304 L/SS316L     | 1    |
| 6            | BOTTOM FLANGE  | M.S/SS304/SS316/SS304 L/SS316L | 1    |
| 5            | TOP FLANGE     | M.S/SS304/SS316/SS304 L/SS316L | 1    |
| 4            | SHELL FLANGE   | M.S/SS304/SS316/SS304 L/SS316L | 1    |
| 3            | PROCESS PIPE   | M.S/SS304/SS316/SS304 L/SS316L | 2    |
| 2            | PROCESS PIPE   | M.S/SS304/SS316/SS304 L/SS316L | 2    |
| 1            | SHELL PIPE     | M.S/SS304/SS316/SS304 L/SS316L | 1    |

| DIMENSIONS IN MM |     |     |     |     |       |     |     |     |     |       |
|------------------|-----|-----|-----|-----|-------|-----|-----|-----|-----|-------|
| NB               | A   | B   | C   | D   | E     | F   | G   | H   | J   | K     |
| 25               | 75  | 245 | 160 | 125 | 373.3 | 35  | 370 | 127 | 90  | 60.3  |
| 40               | 85  | 270 | 175 | 125 | 434   | 45  | 400 | 165 | 95  | 73    |
| 50               | 95  | 295 | 200 | 125 | 605.4 | 70  | 440 | 178 | 160 | 101.6 |
| 65               | 105 | 320 | 210 | 125 | 663.6 | 77  | 460 | 190 | 175 | 114.6 |
| 80               | 115 | 335 | 225 | 150 | 740.3 | 100 | 480 | 203 | 200 | 141.3 |
| 100              | 130 | 385 | 245 | 150 | 838.3 | 125 | 535 | 229 | 235 | 168.3 |

**PIPE LINE STRAINER (Design confirms to ASME B16.10 & ASTM Section VIII-Div.2)**

**WTPL** The strainer is a filtering element incorporated in the pipe line. It is called a Basket Type, Y Type, T Type strainer because of its shape. Inside the strainer is a mesh, which blocks any suspended impurities that the fluid has and is collected in the mesh. During maintenance the mesh can be removed and cleaned of the impurities.

**SPECIFICATION:** Material of wetted parts: CI/ASTMA216 Gr WCB/ASTM351CF 8/ASTM351CF8M/MS/CS/SS304/ SS304L/SS316/SS316L/ PP & HDPE Filter Elements: SS316/SS304/BRASS Mesh Size: 5-500 Microns Design Temperature: Up to 200°C Design Pressure: Upto 40 Kg/cm<sup>2</sup> Line Size: Upto 1200 NB depending upon the type Connection :Flanged to ASA/BS/DIN/JIS/ Screwed BSP/NPT/ Butt Weld.

**BASKET TYPE STRAINER**



**BASKET TYPE STRAINER WITH AIR ELIMINATOR**



**SELF CLEANING FILTER**



**DUPLEX TYPE STRAINER**



**DUPLEX TYPE STRAINER WITH AUTO BACK WASH SYSTEM**



**Y TYPE STRAINER (INVESTMENT CASTING)**



**T TYPE STRAINER**



**CONICAL STRAINER**



**MAGNETIC FILTER**



## BASKET TYPE STRAINER WITH AIR ELIMINATOR



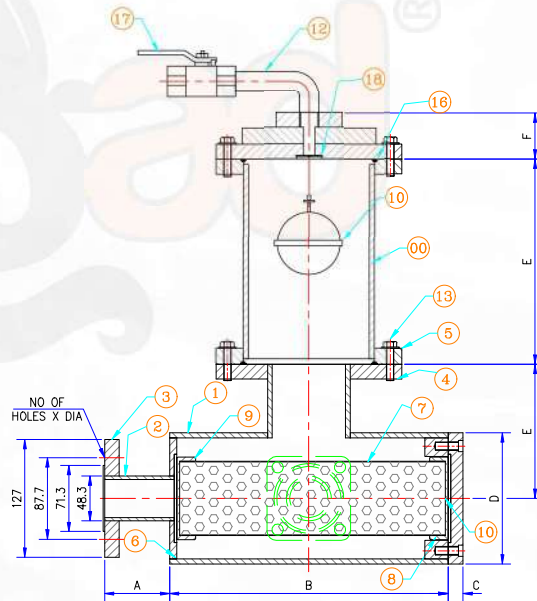
WTPL Duplex Strainers are designed for applications where flow cannot be shut down to service the strainer screen. Change over is accomplished by use of butterfly valves. They are very economical because they are fabricated to your specific requirements and with your choice of valves. This arrangement provides a bubble-tight shut off between basket chambers, essential for use in negative head pump suction systems.

### APPLICATIONS:

- ✓ PUMP PROTECTION
- ✓ FLOW METER PROTECTION
- ✓ VALVES & REGULATOR PROCESSES
- ✓ PROTECTION OF HEAT EXCHANGER AND REFRIGERATION
- ✓ INSTRUMENTATION AND PIPING ITEM PROTECTION

### CONSTRUCTION

| IT.NO | MATERIAL       | DESCRIPTION                       | QTY. |
|-------|----------------|-----------------------------------|------|
| 14    | AIRVENT VALVE  | CS/SS304/SS316/SS304 L/SS316L     | 1    |
| 13    | PACKING        | AF-120/PTFE/SPIRAL WOULD          | 1    |
| 12    | DRAIN PLUG     | M.S/SS304/SS316/SS304 L/SS316L    | 1    |
| 11    | DRAIN SOCKET   | M.S/SS304/SS316                   | -    |
| 10    | BOLTS          | M.S/SS304/SS316/SS304 L/SS316L    | 1    |
| 9     | SEAT RING      | M.S/SS304/SS316/SS304 L/SS316L    | 1    |
| 8     | FILTER RING    | M.S/SS304/SS316/SS304 L/SS316L    | 1    |
| 7     | FILTER ELEMENT | SS304/SS316/SS304 L/SS316L        | 1    |
| 6     | BOTTOM PLATE   | M.S/SS304/SS316/SS304 L/SS316L/PP | 1    |
| 5     | TOP FLANGE     | M.S/SS304/SS316/SS304 L/SS316L/PP | 1    |
| 4     | SHELL FLANGE   | M.S/SS304/SS316/SS304 L/SS316L/PP | 1    |
| 3     | PROCESS FLANGE | M.S/SS304/SS316/SS304 L/SS316L/PP | 2    |
| 2     | PROCESS PIPE   | M.S/SS304/SS316/SS304 L/SS316L/PP | 2    |
| 1     | SHELL PIPE     | M.S/SS304/SS316/SS304 L/SS316L/PP | 11   |
| IT.NO | MATERIAL       | DESCRIPTION                       | QTY. |



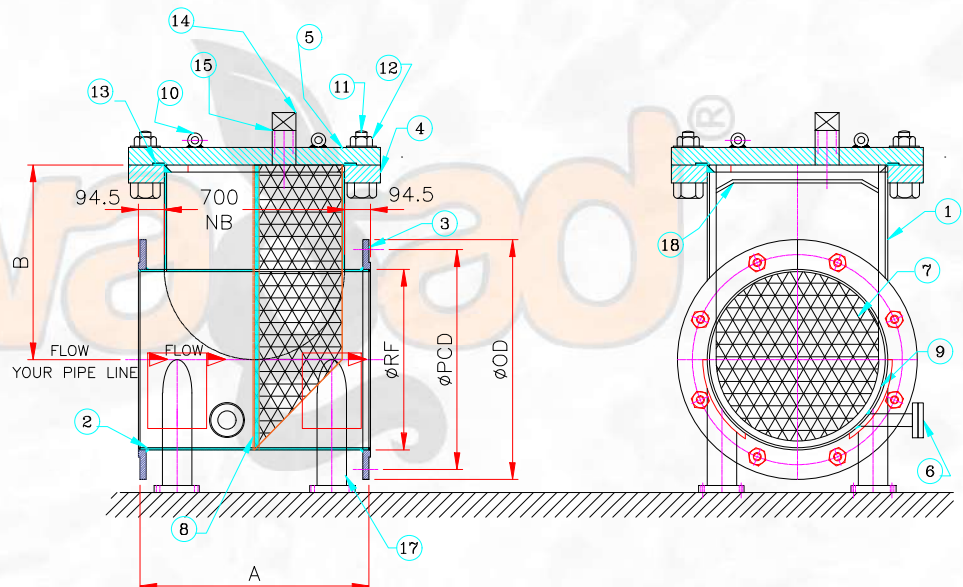
## TEE TYPE STRAINER



WTPL Tee type strainers is designed custom fabricated compound strainer designed to remove foreign particles from pipeline. Tee Type Strainers are a low cost solution to large nominal bore straining requirements. They can be mounted into vertical or horizontal piping and can be configured for right-angled applications. Tee strainers are most commonly supplied with a range of graded filtration levels (fine to coarse or vice-versa) to ensure that the system is running at the required cleanliness level when met with full load. Tee strainers feature either bolted cover or quick opening covers for application suitability. Tee strainers are used where a compact accessible strainers is needed for protection of pumps, valves and similar

### APPLICATIONS:

- ✓ CHEMICAL PROCESSING
- ✓ PETROLEUM
- ✓ POWER GENERATION
- ✓ MARINE
- ✓ OIL & GAS



### DIMENSIONS IN INCHES

| SIZE   | A       |         | B       |         | C        |         | D    |      |
|--------|---------|---------|---------|---------|----------|---------|------|------|
|        | 150#    | 300#    | 150#    | 300#    | 150#     | 300#    | 150# | 300# |
| Inches | 10      | 10. 1/2 | 5       | 5       | 5. 7/8   | 6. 1/4  | 13   | 13   |
| 2. 1/2 | 11. 1/2 | 12      | 6       | 6       | 6. 3/4   | 7. 1/8  | 13   | 13   |
| 3      | 12. 1/4 | 13      | 6. 3/4  | 6. 3/4  | 7. 3/16  | 7. 3/4  | 14   | 14   |
| 4      | 14. 1/4 | 15      | 8. 1/4  | 8. 1/4  | 8. 3/16  | 8. 7/8  | 16   | 16   |
| 5      | 16. 3/4 | 17. 1/2 | 9. 3/4  | 9. 3/4  | 9. 7/16  | 10.1/4  | 19   | 19   |
| 6      | 18. 1/4 | 19      | 11. 1/4 | 11. 1/4 | 10. 1/4  | 11.1/16 | 22   | 22   |
| 8      | 22      | 22. 3/4 | 14      | 14      | 12. 1/4  | 13.1/8  | 25   | 25   |
| 10     | 25      | 26. 1/4 | 17      | 17      | 13.13/16 | 15.1/8  | 29   | 29   |
| 12     | 29      | 30. 1/4 | 20      | 20      | 15. 7/8  | 17.1/4  | 31   | 31   |
| 14     | 32      | 33. 1/4 | 22      | 22      | 17. 1/2  | 18.7/8  | 38   | 38   |
| 16     | 34      | 35. 1/2 | 24      | 24      | 18. 9/12 | 20.1/8  | 41   | 41   |
| 18     | 38      | 39. 1/2 | 27      | 27      | 20.11/16 | 22.1/4  | 46   | 46   |
| 20     | 41.3/8  | 42. 3/4 | 30      | 30      | 22.9/16  | 24      | 51   | 51   |
| 24     | 46      | 47. 1/4 | 34      | 34      | 25       | 26.1/2  | 56   | 56   |

### CONSTRUCTION

| IT.NO | MATERIAL                       | DESCRIPTION    | QTY. |
|-------|--------------------------------|----------------|------|
| 10    | M.S/SS304/SS316                | VENT PLUG      | 1    |
| 9     | M.S/SS304/SS316                | NUTS BOLTS     | --   |
| 8     | M.S/SS304/SS316                | GASKET         | 1    |
| 7     | M.S/SS304/SS316/SS304 L/SS316L | SEAT RING      | 1    |
| 6     | M.S/SS304/SS316/SS304 L/SS316L | FILTER ELEMENT | 1    |
| 5     | M.S/SS304/SS316/SS304 L/SS316L | TOP FLANGE     | 1    |
| 4     | M.S/SS304/SS316/SS304 L/SS316L | SHELL FLANGE   | 1    |
| 3     | M.S/SS304/SS316/SS304 L/SS316L | PROCESS FLANGE | 1    |
| 2     | M.S/SS304/SS316/SS304 L/SS316L | PROCESS PIPE   | 1    |
| 1     | M.S/SS304/SS316/SS304 L/SS316L | SHELL PIPE     | 11   |

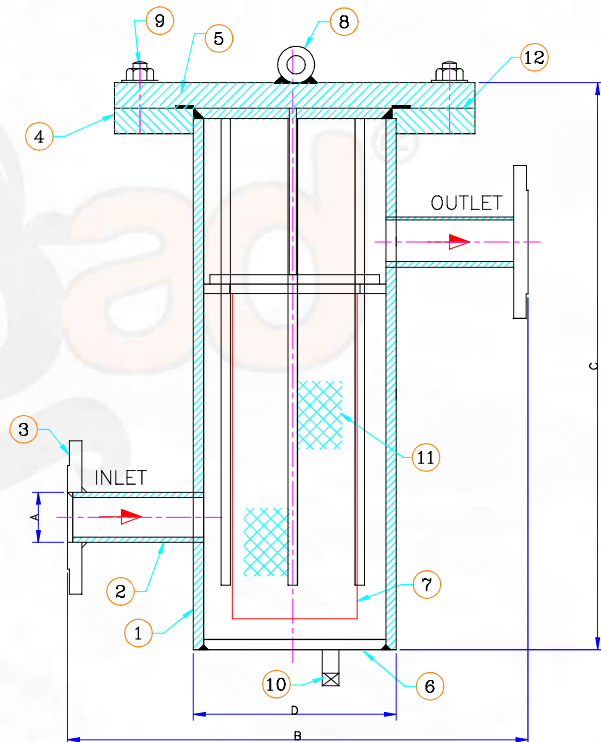
## MAGNETIC FILTER



**WTPL** The magnetic filters can be installed easily in the fluid flow line. They give complete magnetic protection by attracting iron particles as fine as 10 microns into the magnetic trap, the magnets are installed in polished condition for the higher life of the rods and ease of cleaning. For different flow rates, different sizes of magnetic filters are available. The magnetic elements used in the filter have a gauss value of 11,000 gauss. Standard ASA 150 flanges of 1", 2", 3" are used, however, on customer's request, flanges of required sizes can be used. Easy cleaning magnetic filters are available as an option. High-intensity Filter with 9,000 gauss value and maximum operating temperature up to 350°C also available with SMCO (Samarium Cobalt Magnet). Precise Equipment also makes custom-designed Magnetic Filters to precisely fit customer's applications. Information required is the following

### APPLICATIONS:

- ✓ PUMP PROTECTION
- ✓ FLOW METER PROTECTION
- ✓ VALVES & REGULATOR PROCESSES
- ✓ PROTECTION OF HEAT EXCHANGER AND REFRIGERATION
- ✓ INSTRUMENTATION AND PIPING ITEM PROTECTION



### CONSTRUCTION

| IT. NO | MATERIAL                       | DESCRIPTION    | QTY. |
|--------|--------------------------------|----------------|------|
| 11     | M.S/SS304/SS316                | DRAIN PLUG     | 1    |
| 10     | M.S/SS304/SS316                | SWING NUT      | --   |
| 9      | M.S/SS304/SS316                | EYE BOLT       | --   |
| 8      | M.S/SS304/SS316                | LIFTING HANDLE | 1    |
| 7      | ALNICO MAGNET                  | MAGNETIC ROD   | 5    |
| 6      | M.S/SS304/SS316/SS304 L/SS316L | BOTTOM PLATE   | 1    |
| 5      | M.S/SS304/SS316/SS304 L/SS316L | TOP FLANGE     | 1    |
| 4      | M.S/SS304/SS316/SS304 L/SS316L | SHELL FLANGE   | 1    |
| 3      | M.S/SS304/SS316/SS304 L/SS316L | PROCESS FLANGE | 2    |
| 2      | M.S/SS304/SS316/SS304 L/SS316L | PROCESS PIPE   | 1    |
| 1      | M.S/SS304/SS316/SS304 L/SS316L | SHELL PIPE     | 1    |

### DIMENSIONS IN MM

| A (mm) | B (mm) | C (mm) | D (mm) | No. of Magnetic Elements (mm) | Recommended For Flow Rates* Liters/per min |
|--------|--------|--------|--------|-------------------------------|--|
| 200    | 150    | 300    | 1"     | 5                             | 200  |
| 250    | 200    | 350    | 2"     | 5                             | 500  |
| 250    | 200    | 350    | 2"     | 7                             | 500  |
| 300    | 300    | 500    | 3"     | 9                             | 1200                                       |
| 450    | 300    | 500    | 3"     | 12                            | 2000                                       |



## CONICAL STRAINER

### WTPL Conical Strainer

**Application:** For trapping foreign particles in the pipe line to be used as temporary strainers during start up and Trail runs. Used as resin traps also.

**Construction:** Stainless Steel (SS 304 & SS 316)

**Connections:** Suitable for mounting in between Flanges of pipe joints.

**Range:** Sizes from NB 20 onwards. Flanges suitable for mounting in DIN or ASA Flanges. Micro rating as per customers requirement.

**Special Features:** Very convenient to move. Made out of perforated sheet and with mesh lining.

## APPLICATIONS:

- CHEMICAL PROCESSING
- PETROLEUM
- POWER GENERATION
- MARINE
- OIL & GAS

### DIMENSIONS IN INCHES

| SIZE | D1      |     |     |         | D2  | L     |      | T      |
|------|---------|-----|-----|---------|-----|-------|------|--------|
|      | FF & RF |     | RJ  |         |     | A-1.5 | A-2  |        |
|      | 150     | 300 | 500 | 300-600 |     |       |      |        |
| 20   | 51      | 51  | 51  | 51      | 15  | -     | 130  | 14 SWG |
| 25   | 51      | 51  | 51  | 51      | 20  | -     | 140  | -      |
| 37   | 78      | 87  | 87  | 60      | 30  | -     | 140  | -      |
| 60   | 95      | 103 | 103 | 70      | 40  | 110   | 150  | -      |
| 65   | 115     | 121 | 121 | 90      | 55  | 140   | 175  | -      |
| 75   | 128     | 140 | 140 | 110     | 70  | 160   | 225  | -      |
| 100  | 165     | 171 | 184 | 135     | 90  | 210   | 200  | -      |
| 125  | 197     | 210 | 231 | 166     | 115 | 260   | 350  | -      |
| 150  | 212     | 240 | 256 | 196     | 140 | 325   | 425  | -      |
| 200  | 265     | 295 | 300 | 234     | 180 | 425   | 575  | -      |
| 250  | 328     | 350 | 387 | 307     | 225 | 525   | 675  | -      |
| 300  | 396     | 400 | 443 | 354     | 270 | 625   | 850  | -      |
| 350  | 437     | 471 | 478 | 401     | 315 | 660   | 875  | -      |
| 400  | 500     | 525 | 550 | 451     | 360 | 737   | 975  | -      |
| 450  | 534     | 587 | 596 | 514     | 410 | 826   | 1100 | -      |
| 500  | 590     | 637 | 665 | 552     | 460 | 925   | 1225 | -      |
| 600  | 700     | 756 | 771 | 655     | 560 | 825   | 1450 | -      |

### DIMENSIONS IN INCHES

| SIZE | D1      |     |     |         | D2  | L     |      | T      |
|------|---------|-----|-----|---------|-----|-------|------|--------|
|      | FF & RF |     | RJ  |         |     | A-1.5 | A-2  |        |
|      | 150     | 300 | 500 | 300-600 |     |       |      |        |
| 20   | 51      | 51  | 51  | 51      | 15  | -     | 130  | 14 SWG |
| 25   | 51      | 51  | 51  | 51      | 20  | -     | 140  | -      |
| 37   | 78      | 87  | 87  | 60      | 30  | -     | 140  | -      |
| 60   | 95      | 103 | 103 | 70      | 40  | 110   | 150  | -      |
| 65   | 115     | 121 | 121 | 90      | 55  | 140   | 175  | -      |
| 75   | 128     | 140 | 140 | 110     | 70  | 160   | 225  | -      |
| 100  | 165     | 171 | 184 | 135     | 90  | 210   | 200  | -      |
| 125  | 197     | 210 | 231 | 166     | 115 | 260   | 350  | -      |
| 150  | 212     | 240 | 256 | 196     | 140 | 325   | 425  | -      |
| 200  | 265     | 295 | 300 | 234     | 180 | 425   | 575  | -      |
| 250  | 328     | 350 | 387 | 307     | 225 | 525   | 675  | -      |
| 300  | 396     | 400 | 443 | 354     | 270 | 625   | 850  | -      |
| 350  | 437     | 471 | 478 | 401     | 315 | 660   | 875  | -      |
| 400  | 500     | 525 | 550 | 451     | 360 | 737   | 975  | -      |
| 450  | 534     | 587 | 596 | 514     | 410 | 826   | 1100 | -      |
| 500  | 590     | 637 | 665 | 552     | 460 | 925   | 1225 | -      |
| 600  | 700     | 756 | 771 | 655     | 560 | 825   | 1450 | -      |

## SELF CLEANING FILTER



### WTPL Self Cleaning Filter

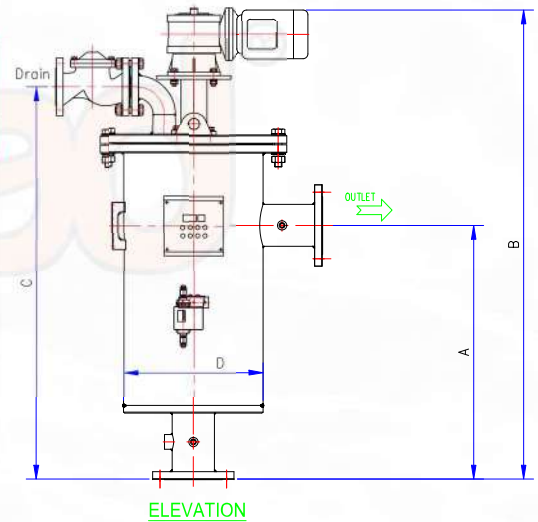
#### FILTERING PROCESS :

Raw water enters the inside of the screen-cylinder from the filter's Inlet and flows through the screen to the filter's Outlet. The dirt particles are trapped on the inner screen surface and formulate a "filtration cake" that causes a differential pressure across the screen. A pressure differential switch senses the pressure differential and when it reaches the pre-set value, the cleaning process begins.

**CONTROL SYSTEM:** Two types of control boards are available for the PP 600 filters: PLC/Timer. The self cleaning cycle begins under any one of the following **conditions:**

1. Receiving a signal from the Pressure Differential Switch
2. Time interval parameter set at the control board
3. Manual Start

| MODEL | DN   |     | FLOW<br>M <sup>3</sup> /H | FILT-<br>RATION<br>AREA<br>Cm <sup>2</sup> | WEIGHT<br>KG | NUMBER<br>OF<br>MOTORS | DIMENSIONS |      |      |      |
|-------|------|-----|---------------------------|--|--------------|------------------------|------------|------|------|------|
|       | INCH | MM  |                           |  |              |                        | A          | B    | C    | D    |
| P604  | 4    | 100 | 100                       | 3530                                       | 175          | 1                      | 500        | 1350 | 875  | 377  |
| P606  | 6    | 150 | 150                       | 3530                                       | 180          | 1                      | 500        | 1350 | 875  | 377  |
| P608  | 8    | 200 | 300                       | 5650                                       | 210          | 1                      | 700        | 1950 | 1175 | 377  |
| P610  | 10   | 250 | 400                       | 7910                                       | 305          | 1                      | 700        | 1950 | 1195 | 480  |
| P612  | 12   | 300 | 600                       | 10880                                      | 340          | 1                      | 1000       | 2550 | 1495 | 480  |
| P614  | 14   | 350 | 900                       | 13820                                      | 540          | 1                      | 1000       | 2600 | 1545 | 610  |
| P616  | 16   | 400 | 1100                      | 13820                                      | 555          | 1                      | 950        | 2600 | 1545 | 610  |
| P618  | 18   | 450 | 1500                      | 13820                                      | 730          | 1                      | 950        | 2600 | 1555 | 720  |
| P620  | 20   | 500 | 2000                      | 21760                                      | 1120         | 2                      | 1200       | 3060 | 1933 | 1016 |
| P624  | 24   | 600 | 2800                      | 32640                                      | 1570         | 3                      | 1200       | 3060 | 2000 | 1220 |
| P628  | 28   | 700 | 3200                      | 41450                                      | 2250         | 3                      | 1300       | 3350 | 2370 | 1420 |
| P632  | 32   | 800 | 4200                      | 55360                                      | 2935         | 4                      | 1400       | 3450 | 2450 | 1620 |



| TECHNICAL PARAMETERS                              |                                 |
|---|---------------------------------|
| Filter Flow                                       | 80 - 4200m <sup>3</sup> /h      |
| Max. recommended working pressure during backwash | 10 bar / 16 bar / 25 bar        |
| Min. operating working pressure during backwash   | 2.5 bar                         |
| Water temperature range                           | 0 ~ 65 °C                       |
| Available filtration                              | From 50 micron                  |
| Pressure loss                                     | <0.1 bar                        |
| Connections                                       | Flange                          |
| Backwash time                                     | 20-30 seconds                   |
| Water consumption during backwash                 | 1%-3% of filtered water         |
| Control Model                                     | DP/Timer/Manual                 |
| Cleaning way                                      | Brush                           |
| Drive way   | Motor driver                    |
| Filter element                                    | Stainless steel 304 mesh        |
| Filter housing material of construction           | Carbon steel ST37-2/SS3         |
| Sewage way  | Fully atomistic                 |
| Installation                                      | Vertical                        |
| Rated operating voltage                           | 3ph / 380v / 50Hz or Customized |

**PIPE LINE STRAINER (Design confirms to ASME B16.10 & ASTM Section VIII-Div.2)**

**WTPL** The strainer is a filtering element incorporated in the pipe line. It is called a Basket Type, Y Type, T Type strainer because of its shape. Inside the strainer is a mesh, which blocks any suspended impurities that the fluid has and is collected in the mesh. During maintenance the mesh can be removed and cleaned of the impurities.

**SPECIFICATION:** Material of wetted parts: CI/ASTMA216 Gr WCB/ASTM351CF 8/ASTM351CF8M/MS/CS/SS304/ SS304L/SS316/SS316L/ PP & HDPE Filter Elements: SS316/SS304/BRASS Mesh Size: 5-500 Microns Design Temperature: Up to 200°C Design Pressure: Upto 40 Kg/cm<sup>2</sup> Line Size: Upto 1200 NB depending upon the type Connection :Flanged to ASA/BS/DIN/JIS/ Screwed BSP/NPT/ Butt Weld.

**BASKET TYPE STRAINER**



**BASKET TYPE STRAINER WITH AIR ELIMINATOR**



**SELF CLEANING FILTER**



**DUPLEX TYPE STRAINER**



**DUPLEX TYPE STRAINER WITH AUTO BACK WASH SYSTEM**



**Y TYPE STRAINER (INVESTMENT CASTING)**



**T TYPE STRAINER**



**CONICAL STRAINER**



**MAGNETIC FILTER**

